

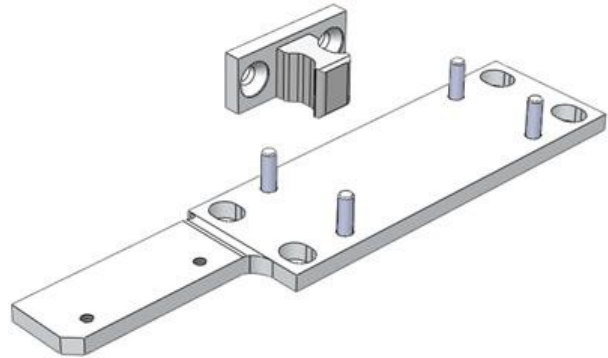


**Electric Automation**  
Automation specialists

Reference: DALTON KIT 6  
Code: 2TLA020039R0500

Dalton bracket 6

Buy it at Electric Automation Network



Fixing plate for Dalton and Eden, small bracket for lock tongue.

### Ordering

EAN:	7350024459173
Minimum Order Quantity:	1 piece
Customs Tariff Number:	76169990

### Dimensions

Product Net Width:	0.08 m
Product Net Height:	0.05 m
Product Net Depth:	0.065 m
Product Net Weight:	0.102 kg

### Container Information

Package Level 1 Units:	1 piece
Package Level 1 Width:	0.17 m
Package Level 1 Height:	0.05 m
Package Level 1 Length:	0.24 m
Package Level 1 Gross Weight:	0.09 kg

## Additional Information

Product Main Type:	Dalton Accessory
Product Name:	Bracket

## Certificates and Declarations (Document Number)

Data Sheet, Technical Information:	2TLC172001C0202_chapter09
Declaration of Conformity - CE:	2TLC172084D0201

## Classifications

ETIM 4:	EC002594 - Accessories for position switches
ETIM 5:	EC002594 - Accessories for position switches
Object Classification Code:	U