

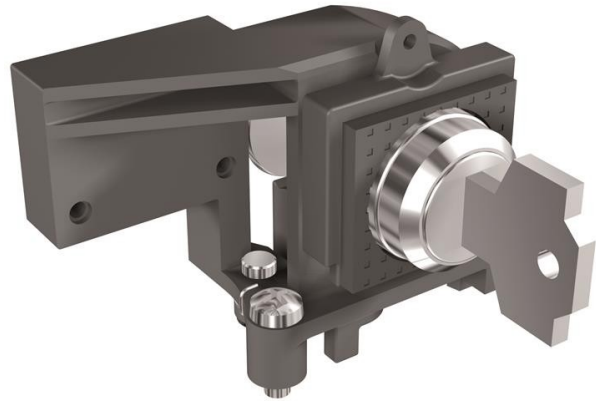


**Electric Automation**  
Automation specialists

Reference: Acc. E2.2/E6.2  
Code: 1SDA073792R1

KLC-S Key lock open N.20005 E2.2..E6.2

Buy it at Electric Automation Network



KEY LOCK EQUAL N.20005 IN OPEN BETWEEN MORE C.BREAKERS E2.2...E6.2

### Ordering

EAN:	8015644777258
Minimum Order Quantity:	1 piece
Customs Tariff Number:	85389099

### Container Information

Package Level 1 EAN:	8015644777258
----------------------	---------------

### Additional Information

Product Main Type:	Accessories for Emax 2
Product Name:	Accessory
Product Type:	ACC
Standards:	IEC
Suitable For:	E2.2 E4.2 E6.2
Suitable for Product Class:	SACE Emax 2

### Certificates and Declarations (Document Number)

Data Sheet, Technical Information:	1SDC200023D0204
------------------------------------	-----------------

Declaration of Conformity - CE:

1SDL000165R0020  
1SDL000165R0021  
1SDL000165R0022

## Classifications

Object Classification Code:

Q