

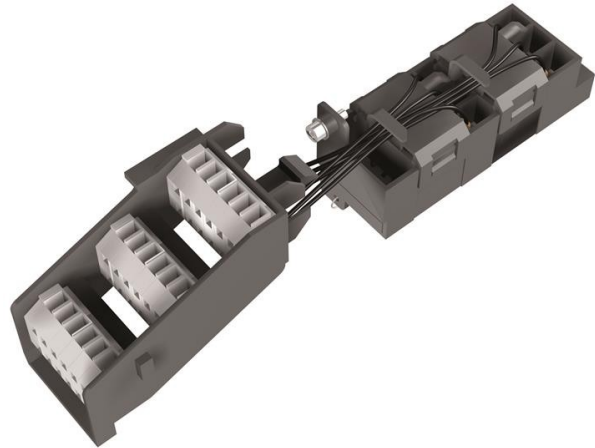


**Electric Automation**  
Automation specialists

Reference: Acc. E1.2  
Code: 1SDA073763R1

AUP 6 contacts 24Vdc E1.2

Buy it at Electric Automation Network



6 POSITION CONTACTS C.BREAKERS V <( )<< )> 24V DC E1.2

### Ordering

EAN:	8015644776961
Minimum Order Quantity:	1 piece
Customs Tariff Number:	85389099

### Container Information

Package Level 1 EAN:	8015644776961
----------------------	---------------

### Additional Information

Product Main Type:	Accessories for Emax 2
Product Name:	Accessory
Product Type:	ACC
Standards:	IEC
Suitable For:	E1.2
Suitable for Product Class:	SACE Emax 2

### Certificates and Declarations (Document Number)

Data Sheet, Technical Information:	1SDC200023D0204
Declaration of Conformity - CE:	1SDL000165R0019

Classifications

Object Classification Code:	Q
-----------------------------	---