

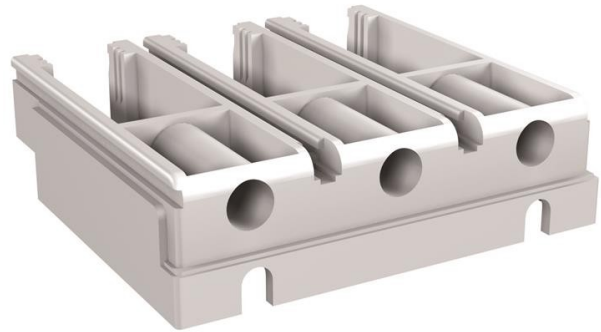


Electric Automation
Automation specialists

Reference: XT3
Code: 1SDA066309R1

ADP MONT. FIXED TERM. x PF XT3 3p

[Buy it at Electric Automation Network](#)



ADAPTOR FOR MONTAGE FIXED TERMINALS FOR FIXED PART THREE-POLE XT3

Ordering

EAN:	8015644002077
Minimum Order Quantity:	1 piece
Customs Tariff Number:	85389099

Dimensions

Product Net Weight:	0.9 kg
---------------------	--------

Container Information

Package Level 1 Units:	1 piece
Package Level 1 Gross Weight:	0.9 kg
Package Level 1 EAN:	8015644002077

Additional Information

Product Main Type:	Accessories for Tmax XT
Product Name:	Accessory for Circuit Breakers
Product Type:	ACC
Standards:	IEC 60947-2
Suitable For:	XT3
Suitable for Product Class:	SACE Tmax XT

Certificates and Declarations (Document Number)

Data Sheet, Technical Information:	1SDC210033D0202
Declaration of Conformity - CE:	1SDL000165R0009

Classifications

Object Classification Code:	Q
UNSPSC:	39120000