

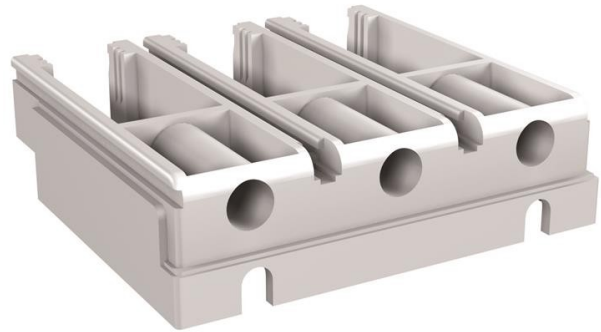


Electric Automation
Automation specialists

Reference: XT2
Code: 1SDA066308R1

ADP MONT. FIXED TERM. x PF XT2 4p

Buy it at Electric Automation Network



ADAPTOR FOR MONTAGE FIXED TERMINALS FOR FIXED PART FOUR-POLE XT2

Ordering

EAN:	8015644692117
Minimum Order Quantity:	1 piece
Customs Tariff Number:	85389099

Dimensions

Product Net Weight:	1.06 kg
---------------------	---------

Container Information

Package Level 1 Units:	1 piece
Package Level 1 Gross Weight:	1.06 kg
Package Level 1 EAN:	8015644692117

Additional Information

Number of Poles:	4
Product Main Type:	Accessories for Tmax XT
Product Name:	Accessory for Circuit Breakers
Product Type:	ACC
Standards:	IEC 60947-2
Suitable For:	XT2

Suitable for Product Class:	SACE Tmax XT
-----------------------------	--------------

Certificates and Declarations (Document Number)

Data Sheet, Technical Information:	1SDC210033D0202
Declaration of Conformity - CE:	1SDL000165R0009

Classifications

Object Classification Code:	Q
UNSPSC:	39120000