

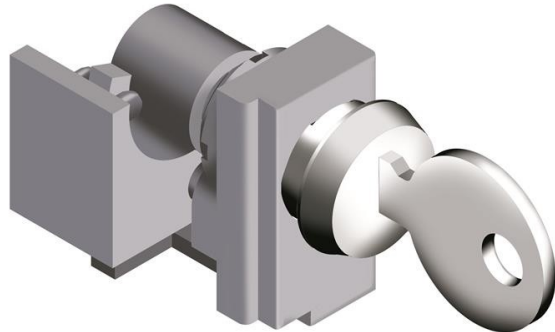


Electric Automation
Automation specialists

Reference: T2
Code: 1SDA052015R1

KLC T2 KEY LOCK RONIS WIT,OP/CL X
C.BREA

Buy it at Electric Automation Network



KEY LOCK RONIS 622 IN OPEN WITH KEY WITHDRAWABLE IN OPEN-CLOSED POSITION
FOR C.BREAKER T2

Ordering

EAN:	8015644525309
Minimum Order Quantity:	1 piece
Customs Tariff Number:	85389099

Dimensions

Product Net Weight:	0.064 kg
---------------------	----------

Container Information

Package Level 1 Units:	1 piece
Package Level 1 Gross Weight:	0.064 kg
Package Level 1 EAN:	8015644525309

Environmental

RoHS Status:	Planned to follow EU Directive 2002/95/EC August 18, 2005 and amendment after 2007-01-01
--------------	--

Additional Information

Device:	T2
Product Main Type:	Accessories for Tmax T

Product Name:	Accessory for Circuit Breakers
Product Type:	ACC
Standards:	IEC
Suitable For:	T2
Suitable for Product Class:	SACE Tmax T

Certificates and Declarations (Document Number)

Data Sheet, Technical Information:	1SDC210015D0201
Declaration of Conformity - CE:	1SDL000165R0001
RoHS Information:	1SDL000200R0001

Classifications

Object Classification Code:	Q
UNSPSC:	39121100