

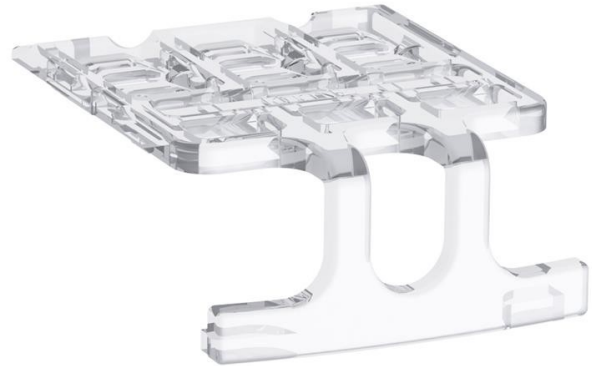


Electric Automation
Automation specialists

Reference: LT65-30
Code: 1SBN123401R1000

LT65-30 Terminal Shroud

Buy it at Electric Automation Network



LT65-30 terminal shrouds are designed to protect the main terminals against accidental direct contact and to provide a comprehensive IP 20 degree of protection. Designed for rigid cables or flexible cables with insulated ferrules including a stripping length ≥ 18 mm. Safety and protection: make your installation safe, using a compact IP20 protection on the main terminals of AF40 .. AF65 3-pole contactors. Easy to install: save time thanks to a compact design and a fast clipping on each top and bottom parts of the contactors. Optimum interface: Use the same protection whatever the cable cross-section on the contactor.

Ordering

EAN:	3471523131187
Minimum Order Quantity:	1 piece
Customs Tariff Number:	39211200

Container Information

Package Level 1 Units:	1 piece
Package Level 1 Width:	125 mm
Package Level 1 Height:	40 mm
Package Level 1 Length:	180 mm
Package Level 1 Gross Weight:	0.016 kg
Package Level 1 EAN:	3471523131187
Product Packing Type:	Bag

Additional Information

Degree of Protection:	acc. to IEC 60529, IEC 60947-1, EN 60529 Main Terminals IP20
-----------------------	--

IIT Publishing Status:	Level 0 - Information enabled
Product Main Type:	Accessories for Block Contactors
Product Name:	Terminal Shroud
Suitable For:	AF40 AF52 AF65

Classifications

ETIM 4:	EC002498 - Accessories for low-voltage switch technology
ETIM 5:	EC002498 - Accessories for low-voltage switch technology