



**Automatización Eléctrica**

Especialistas en Automatización

At the end of this document you will find links to products related to this catalog. You can go directly to our shop by clicking [HERE](#)

## General Information

Extended Product Type:	VM205/265
Product ID:	1SFN035203R1000
EAN:	7320500494813
Catalog Description:	VM205/265 Mechanical Interlock Unit
Long Description:	Mechanical interlock for use with contactors AF116...AF205. For interlocking contactors AF190...205 with AF265...AF370

## Categories

Products » Low Voltage Products and Systems » Control Products » Contactors » Block Contactors Accessories

## Ordering

EAN:	7320500494813
Minimum Order Quantity:	1 piece
Customs Tariff Number:	85389099

## Dimensions

Product Net Weight:	0.090 kg
---------------------	----------

## Container Information

Package Level 1 Units:	1 piece
Package Level 1 Gross Weight:	0.105 kg

## Environmental

RoHS Status:	Following EU Directive 2002/95/EC August 18, 2005 and amendment
--------------	---

## Additional Information

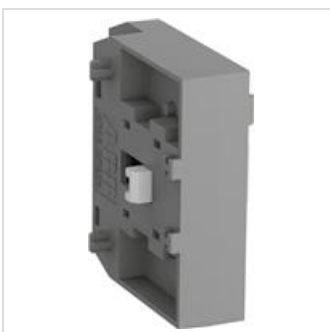
Order Multiple:	1 piece
Product Main Type:	VM205/265
Product Name:	Mechanical Interlock Unit
RoHS Date:	1226 1
Suitable For:	AF205 AF265
Suitable for Product Class:	CONTACTORS
Terminal Type:	Screw Terminals

## Certificates and Declarations (Document Number)

Data Sheet, Technical Information:	1SBC100173C0201
Declaration of Conformity - CE:	2CMT004749

## Classifications

ETIM 4:	EC001044 - Mechanic interlock for switch
ETIM 5:	EC001044 - Mechanic interlock for switch
Object Classification Code:	R
UNSPSC:	39121529





Below is a list of articles with direct links to our shop Electric Automation Network where you can see:

- Quote per purchase volume in real time.
- Online documentation and datasheets of all products.
- Estimated delivery time enquiry in real time.
- Logistics systems for the shipment of materials almost anywhere in the world.
- Purchasing management, order record and tracking of shipments.

To access the product, [click on the green button.](#)

<b>Product</b>	<b>Code</b>	<b>Reference</b>	<b>Product link</b>
VM205/265 Mechanical Interlock Unit	1SFN035203R1000	VM205/265	<a href="#">Buy on EAN</a>