



Automatización Eléctrica

Especialistas en Automatización

At the end of this document you will find links to products related to this catalog. You can go directly to our shop by clicking [HERE](#)

General Information

Extended Product Type:	VM96-4
Product ID:	1SBN033405T1000
EAN:	3471523130937
Catalog Description:	VM96-4 Mechanical Interlock Unit
Long Description:	VM96-4 Mechanical Interlock Unit

Categories

Products » Low Voltage Products and Systems » Control Products » Contactors » Block Contactors Accessories

Ordering

EAN:	3471523130937
Minimum Order Quantity:	10 piece
Customs Tariff Number:	85389099

Dimensions

Product Net Weight:	0.006 kg
---------------------	----------

Container Information

Package Level 1 Units:	10 piece
Package Level 1 Width:	120 mm
Package Level 1 Height:	10 mm
Package Level 1 Length:	180 mm
Package Level 1 Gross Weight:	0.07 kg
Package Level 1 EAN:	3471523130937
Product Packing Type:	Bag

Environmental

RoHS Status:	Following EU Directive 2011/65/EC
--------------	-----------------------------------

Additional Information

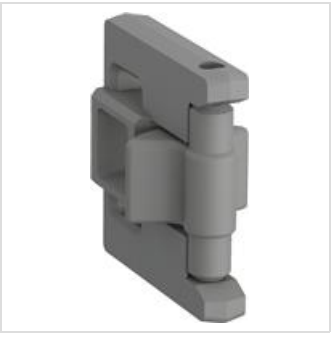
IIT Publishing Status:	Level 0 - Information enabled
Product Main Type:	Accessories for Block Contactors
Product Name:	Mechanical Interlock Unit
RoHS Date:	20141210
Suitable For:	AF40 AF52 AF65 AF80 AF96 NF

Certificates and Declarations (Document Number)

Data Sheet, Technical Information:	1SBC100173C0201
Declaration of Conformity - CE:	NoDecNee
RINA Certificate:	RINA_ELE084013XG
RoHS Information:	1SBD251028E1001

Classifications

ETIM 4:	EC002498 - Accessories for low-voltage switch technology
ETIM 5:	EC002498 - Accessories for low-voltage switch technology
UNSPSC:	39120000





Below is a list of articles with direct links to our shop Electric Automation Network where you can see:

- Quote per purchase volume in real time.
- Online documentation and datasheets of all products.
- Estimated delivery time enquiry in real time.
- Logistics systems for the shipment of materials almost anywhere in the world.
- Purchasing management, order record and tracking of shipments.

To access the product, [click on the green button.](#)

Product	Code	Reference	Product link
VM96-4 Mechanical Interlock Unit	1SBN033405T1000	VM96-4	Buy on EAN